

# CONTENTS PAGE

2 - Parts List

3 - Safety rail

10 - Multiple rails

# PARTS LIST

- 2 - Panels
- 4 - 3" bolts
- 4 - J-bolts
- 4 - Big washers
- 8 - Small washers
- 4 - Lock nuts
- 4 - Wing nuts
- 2 - Support bars

# SAFETY RAIL INSTRUCTIONS

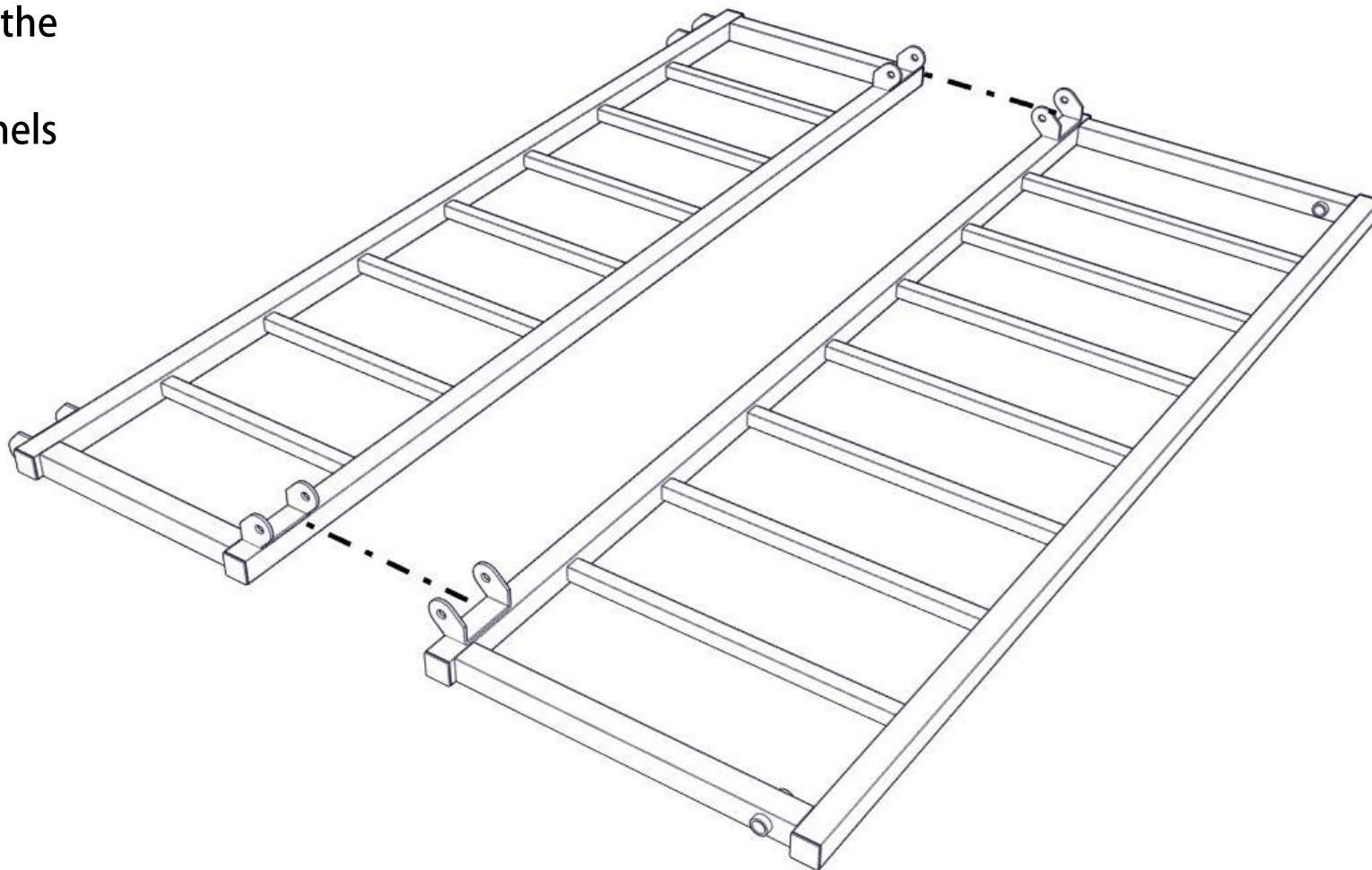


# ALIGNING PANELS

## STEP 1

Align the top and bottom panels of the safety rail hinges together

Align the panels so the edges of panels are flush with each other



# BOLTING HINGES

## STEP 2

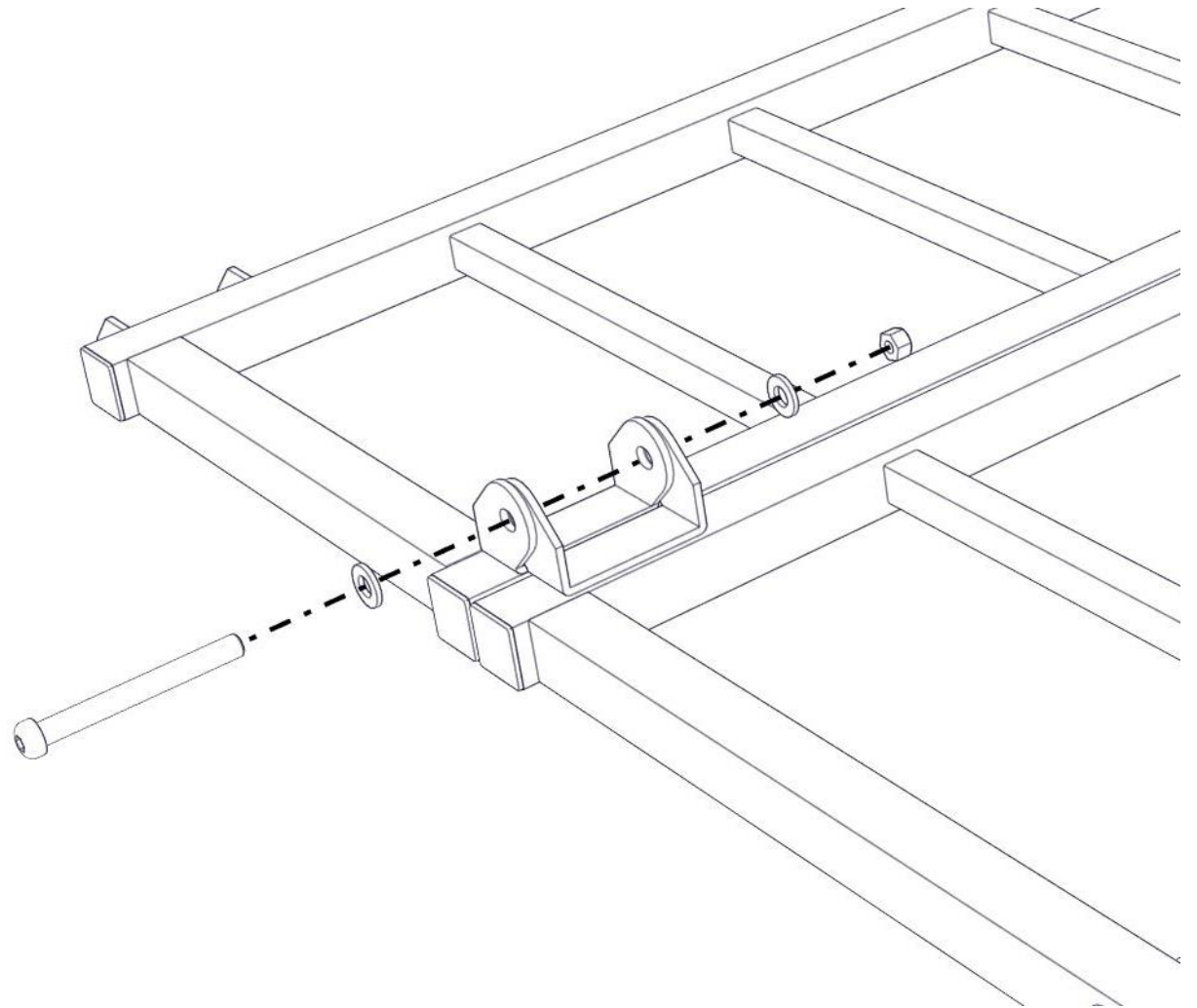
Bolt together the panels using the 3" bolts provided on the hinges

Place a small washer on the 3" bolt and insert it through both hinges

Follow it with a small washer and a lock nut to tighten the hinges together

### Caution:

Do not tighten the bolts too tight to allow the hinges to freely move



# BOLTING RAIL

## STEP 3

Align the safety rail hinges with the hinges on the back of the ramp

Align the panels so the edges of panels are flush with each other



# BOLTING RAIL

## STEP 4

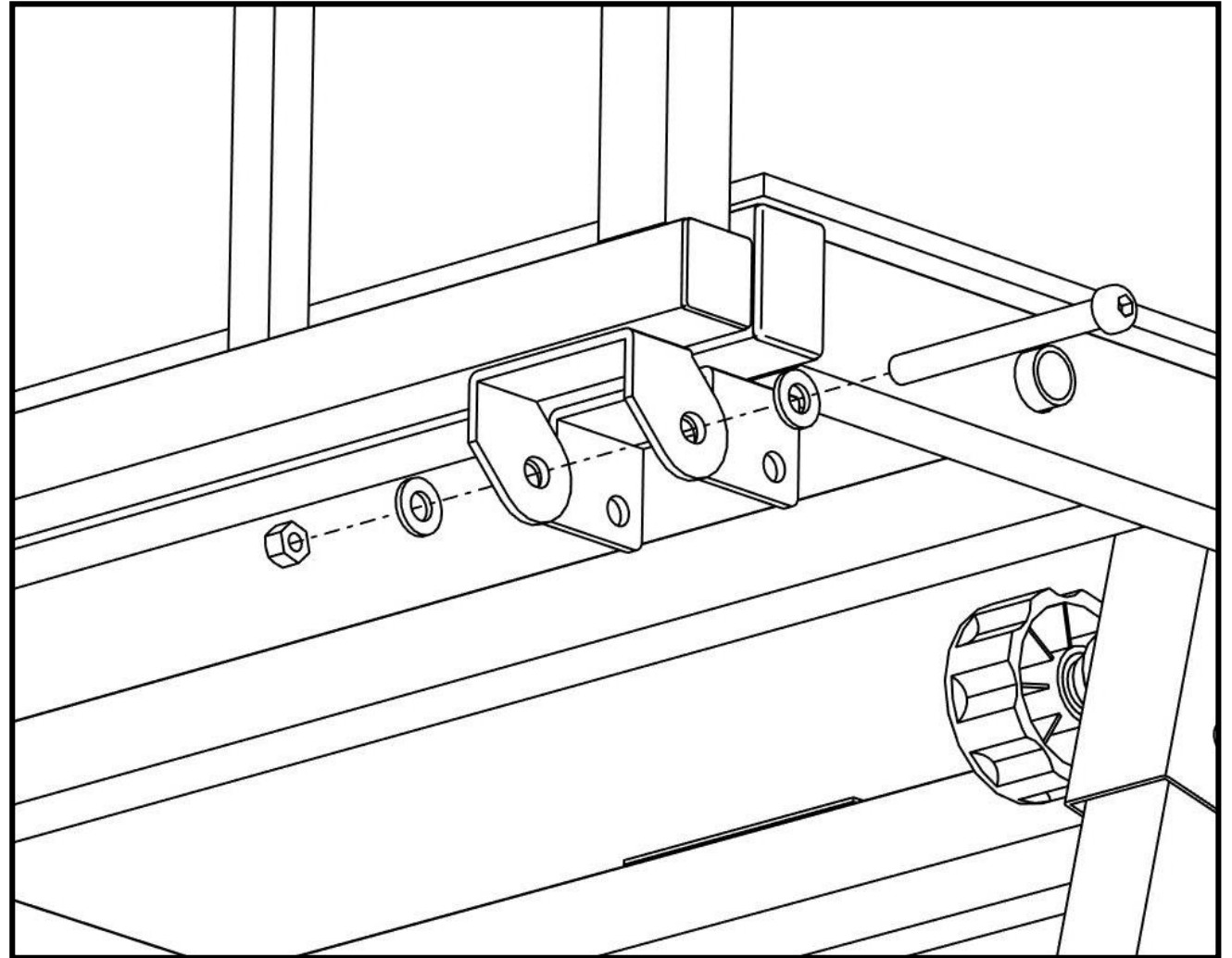
Bolt together the rail using the 3" bolts provided on the hinges

Place a small washer on the 3" bolt and insert it through both hinges

Follow it with a small washer and a lock nut to tighten the hinges together

### Caution:

Do not tighten the bolts too tight to allow the hinges to freely move



# SUPPORT BARS

## STEP 5

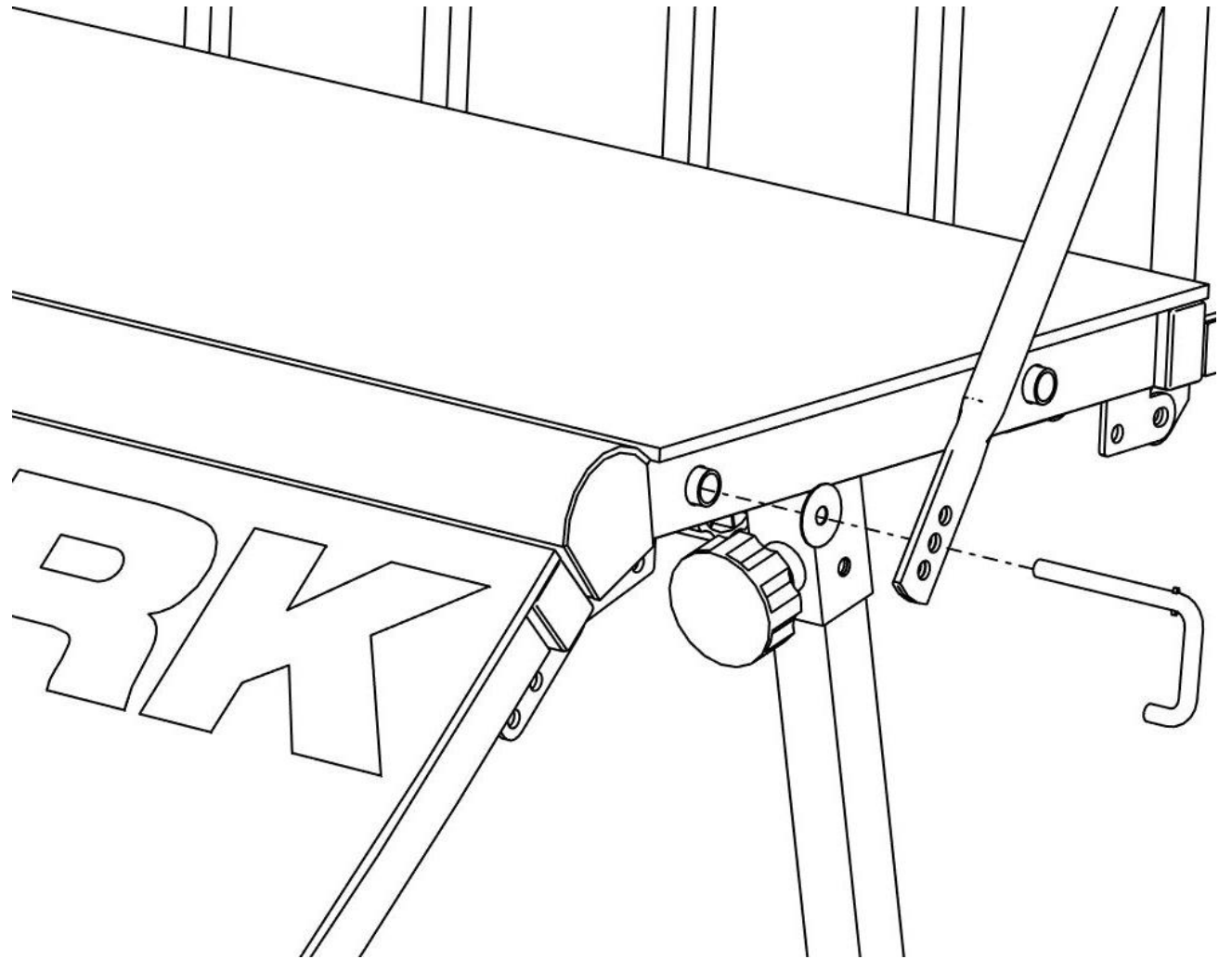
Secure the support bars onto the rail and ramp using J-bolts

Insert the J-bolt into the support bar and slide a big washer onto the other side

Slide the rest of the J-bolt through the hole on the side of the quarter pipe shown and follow it with a wing nut to tighten it to the quarter pipe

### Caution:

Do not tighten the J-bolts too tight to prevent the panels from warping





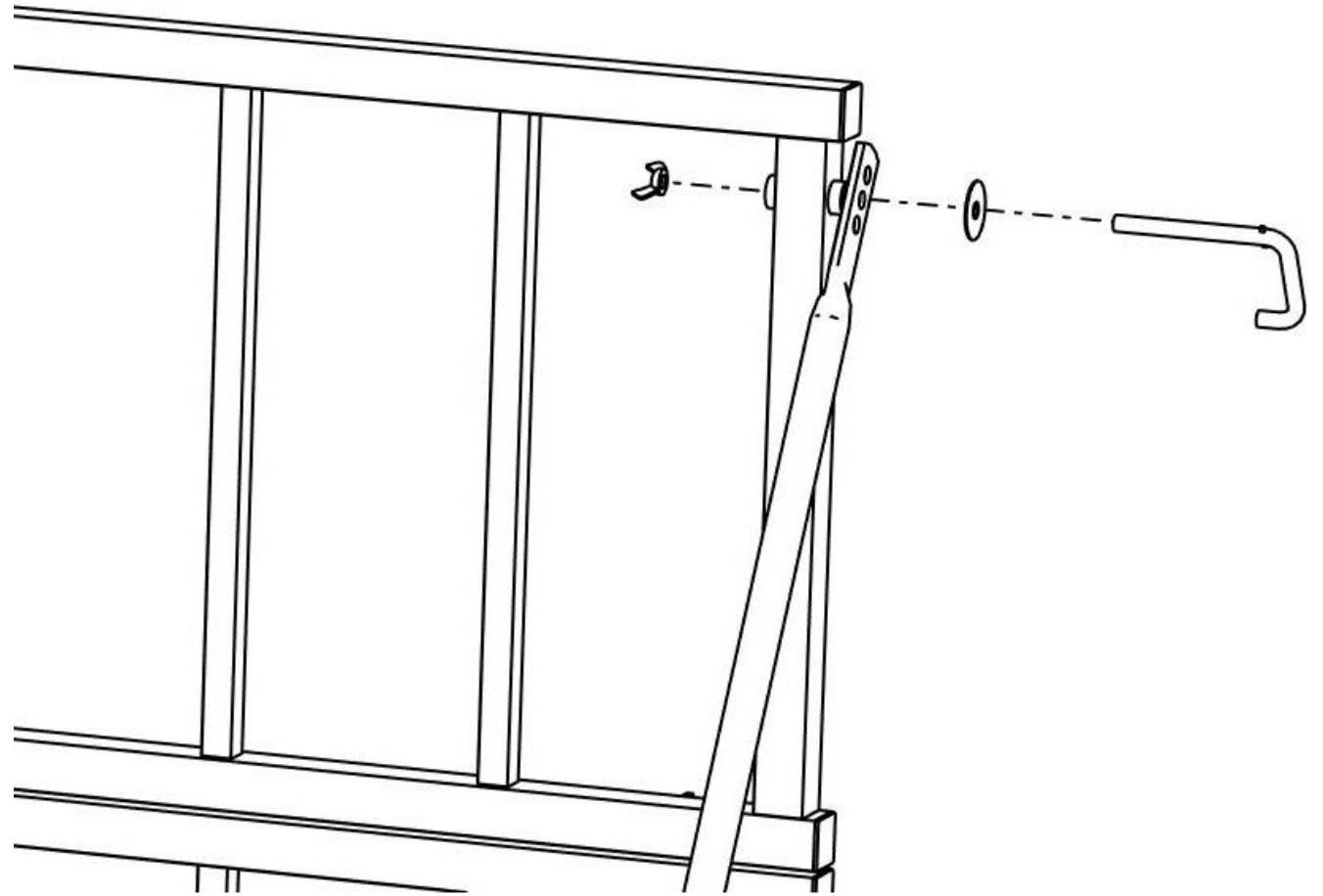
# SUPPORT BARS

## STEP 6

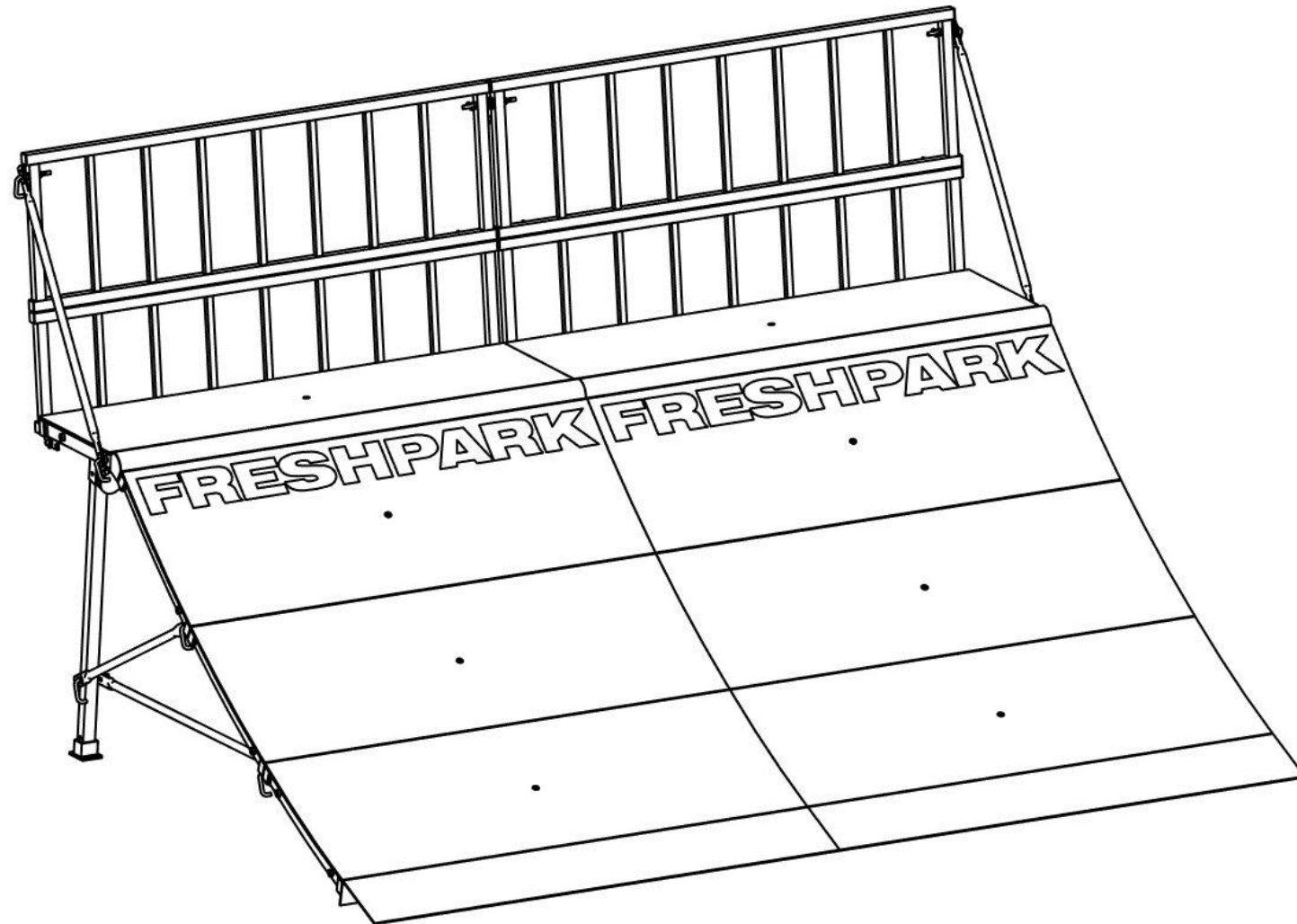
Secure the support bars onto the rail and ramp using J-bolts

Place a big washer onto the J-bolt and insert the J-bolt into the support bar and safety rail

Follow it with a wing nut to tighten it to the safety rail



# MULTI RAIL INSTRUCTIONS



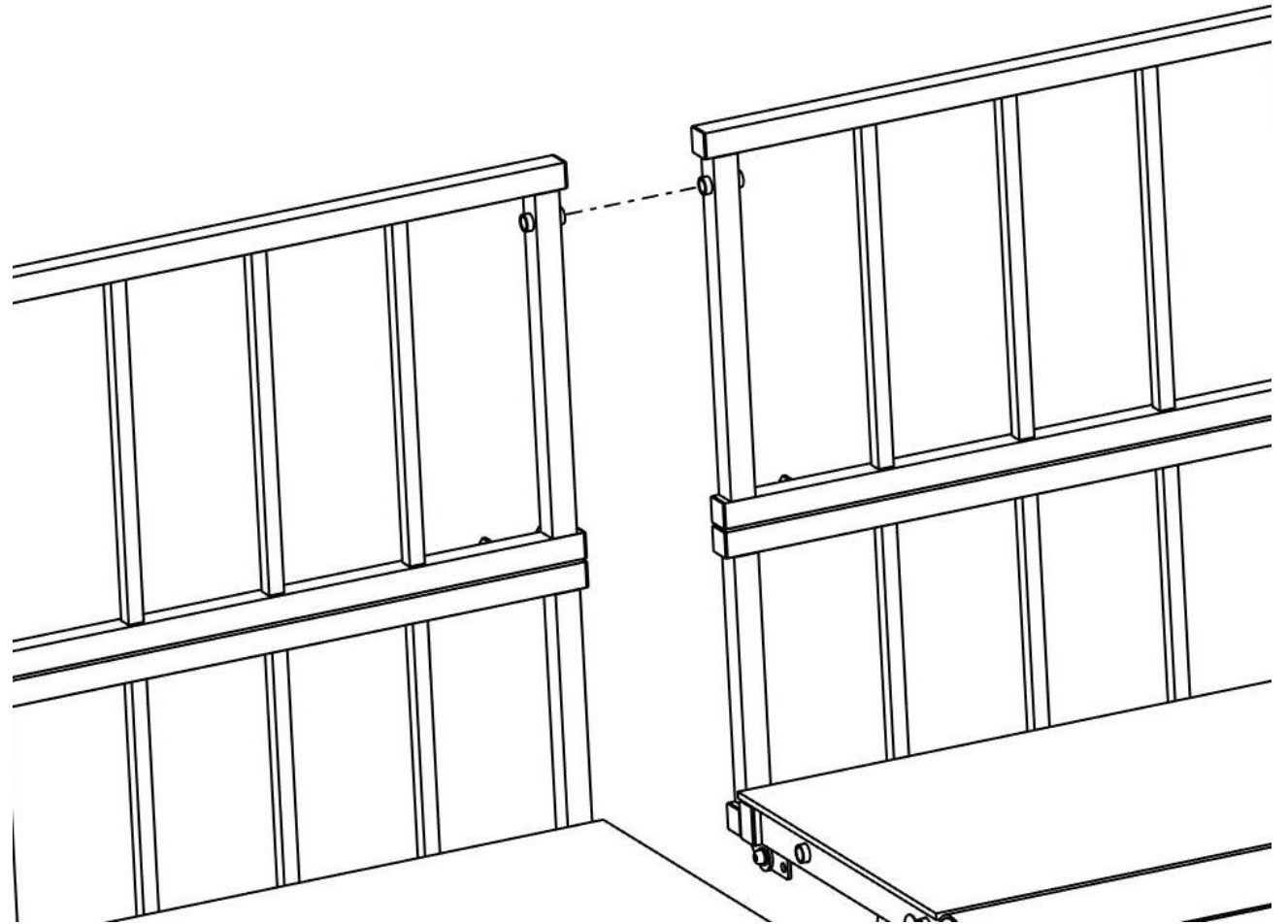
# LINKING RAILS

## STEP 1

Align the safety rails so the tubes at the top match

Do not place support bars in the middle of the ramp (only use support bars on the sides of the ramp)

The two support bars on the ends of the ramp will keep the safety rails secure



# LINKING RAILS

## STEP 2

Bolt the rails together using a J-bolt

Insert the J-bolt through both tubes and tighten the two rails with a wing nut as shown

